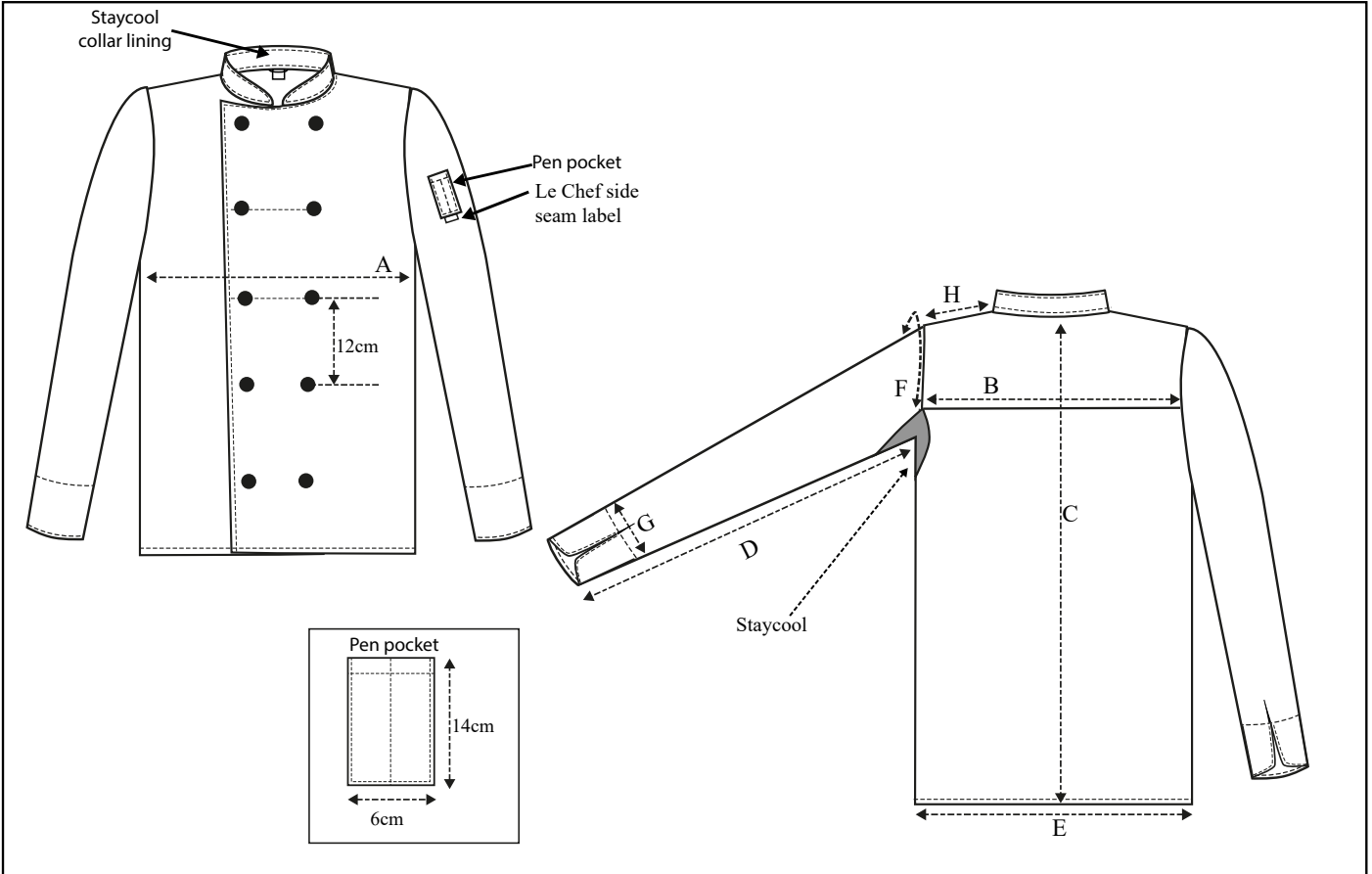


Description:- **Le Chef Jacket Executive** Fabric:- 65/35 200gm (laundry tough) 50/50 200gsm Page:- 1 of 2

All measurements in centimetres. Girth measurement are for whole garment

Issue Date: 14/3/22



MEASURING POINT	LOCATION	REF	XXS	XS	Slim S	S	Slim M	M	Slim L	L	XL	2XL	3XL	4XL	5XL	Tol+
CHEST	6.5cms below u/arm	A	84	95	101	107	112	117	122	127	137	147	157	167	177	2
ACROSS BACK	Across back at seam	B	35.5	38.5	41	43	45	47	49	50.5	52.5	55.5	58.5	60.5	62.5	1
LENGTH	Centre back	C	71	73	74	75	76	78	78	79	81	82	85	87	87	1
UNDERARM	Where armhole seam would be	D	44	46	47	48	49	52	52	52	52	52	55	55	55	1
NECK CIRC	As worn		35	38	39.5	41	42.5	44	45.5	47	50	53	55	57	59	0.5
HEM		E	106	110	113	116	117	118	123	128	133	143	153	163	173	2
ARMHOLE	Along seam not including Staycool	F	48	50	52	52	52	49	49	52	57	60	63	66	69	2
CUFF	At stitchline	G	28	29	30	30	32	33	34	35	35	35	35	35	36	1
SHOULDER	On seam	H	11.5	12	12.5	13	13.5	14	14.5	15	16	16.5	17	17.5	18	0.5
TO FIT Chest cms			71/76	81/86	86/91	91/96	96/101	101/106	106/111	111/116	121/126	131/136	141/146	151/156	161/166	
TO FIT Chest imp			28/30	32/34	34/36	36/38	38/40	40/42	42/44	44/46	48/50	52/54	56/58	60/62	64/66	