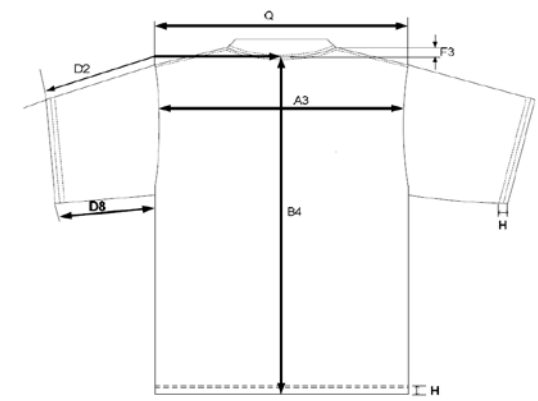
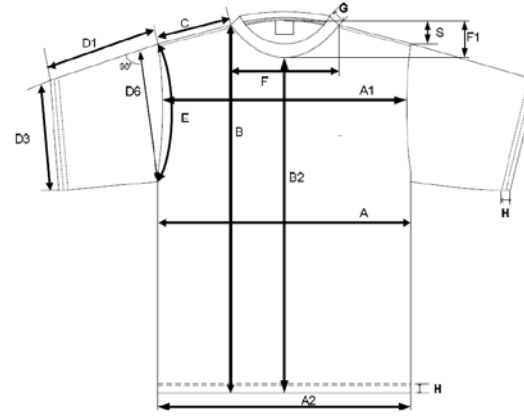




**Garment Specifications - Style 990B Anvil Youth Fashion Tee 100% Combed Ring Spun Cotton  
4.5 Oz. per Sq. Yd.**

**MEASUREMENTS (CM) / MEDIDAS (CM)**

Dimensions - Size / Dimensiones - Talla	XS	S	M	L	XL	Tol
A- Chest *	35	38	41	44	47	± 1.5
A1-Front shoulder breadth	28	30	32.5	35	38	± 1.5
A2- Bottom width	35	38	41	44	47	± 1.5
A3-Back shoulder breadth	28	30	32.5	35	38	± 1.5
B- Length from HPS *	46	48	52	56	60	± 2.5
B2-Front body length	36	39	42.5	46.5	50	±2.5
B4-Back body length	43	46	49.5	53.5	57	±2.5
C- Shoulder	8	9	9.5	11	11.5	± 0.5
D1- Sleeve length(center cap)	13.5	15	16.5	18	19	±1.5
D2- Sleeve length (center back) *	29	32	34	37	39.5	± 2
D3- Sleeve opening relaxed	12	12.5	13.5	14	14.5	± 1.5
D6- Sleeve width	16	16.5	17	18.5	19	± 0.5
D8- Undersleeve length *	7.5	8	9	9.5	10	± 1.5
E- Armhole	17	18	19	20.5	21.5	± 2
F- Neck opening *	16.5	17	18	18	18	± 1.5
F1- Front Neck Drop	9	9	9	9	9	± 0.5
F3- Back neck drop	2	2	2	2	2	± 0.5
G- Neck rib height	2	2	2	2	2	± 0.3
H- Hem height	1.5	1.5	1.5	1.5	1.5	±0.3
Q-Across shoulder	31	33	35.5	38	40.5	± 1.5
S-Shoulder slope	2	2	2	2	2	± 0.5



\* critical measurement / medida crítica

**Packaging Information**

Style	Size	Case type	Case Outside Dimension L x W x H	Packaging 1st and 2nd Quality						
				# Doz	Case net weight (lbs)	Gross weight White (lbs)	Gross weight Lights (lbs)	Gross weight Darks (lbs)	Cube	Case per Pallet
990B	XS	34AN	21½ x 15 1/2 x 6 1/2"	6	1.7	13.26	13.99	14.72	1.254	48
	S	34AN	21½ x 15 1/2 x 6 1/2"		1.7	16.74	17.57	18.41	1.254	48
	M	1AN	21½ x 15 1/2 x 8 3/4"		2.12	19.24	19.61	19.98	1.687	36
	L	1AN	21½ x 15 1/2 x 8 3/4"		2.12	22.46	22.55	22.64	1.687	36
	XL	1AN	21½ x 15 1/2 x 8 3/4"		2.12	24.82	25.36	25.90	1.687	36

**Total Colors**

19