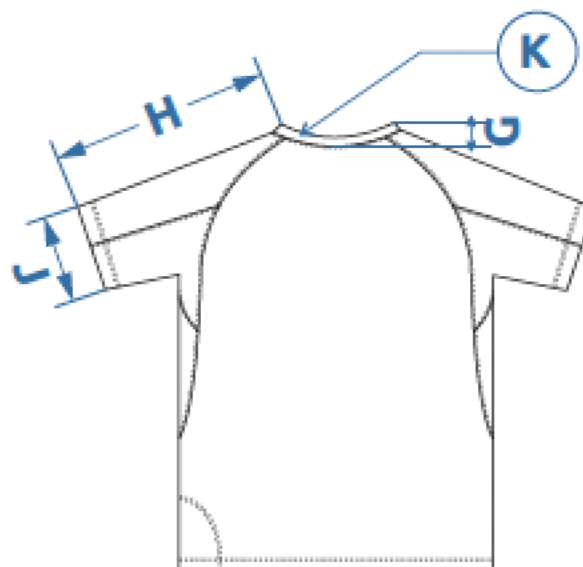
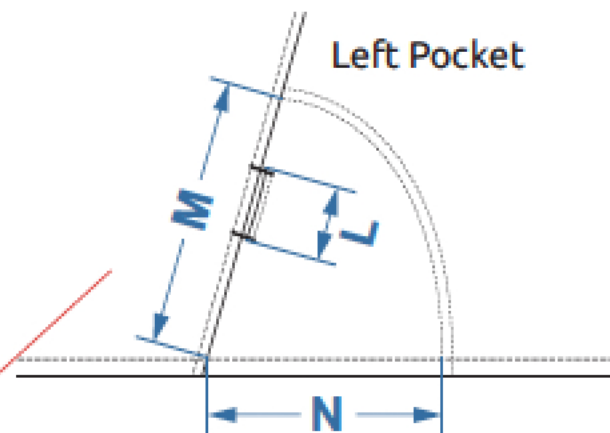
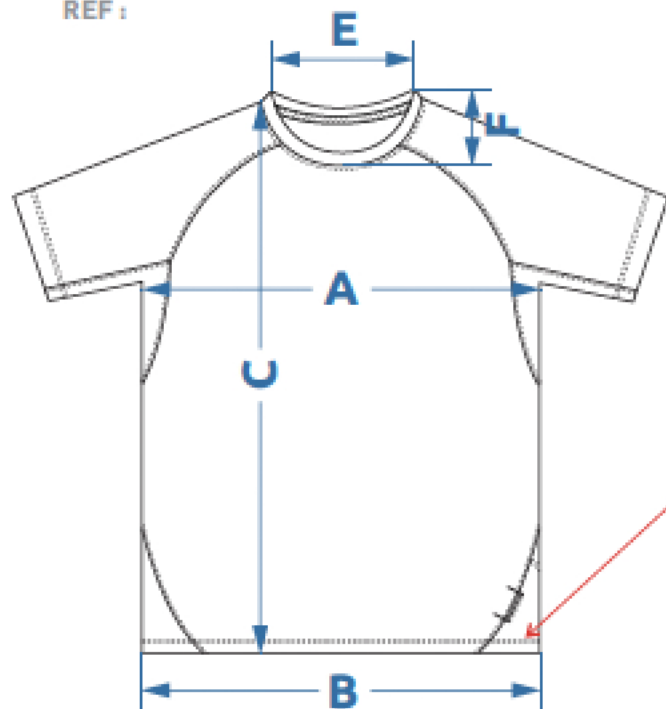


STYLE : REX
REF :



| SIZE IN CM | XS | S | M | L | XL | 2XL | 3XL | TOL± |
|--------------------------------|------|------|------|------|------|------|------|------|
| A Chest at Armhole | 48 | 50 | 52 | 54 | 56 | 58 | 60 | 0.5 |
| B Bottom | 48 | 50 | 52 | 54 | 56 | 58 | 60 | 0.5 |
| C Front Length-HPS | 67 | 68.5 | 70 | 71.5 | 73 | 74.5 | 76 | 0.5 |
| D Armhole Straight | 21.5 | 22.5 | 23.5 | 24.5 | 25.5 | 26.5 | 27.5 | 0.5 |
| E Neckline Edge to Edge | 15 | 15.5 | 16 | 16.5 | 17 | 17.5 | 18 | 0.5 |
| F Front N/Drop from Img.n.line | 7.5 | 8 | 8.5 | 9 | 9.5 | 10 | 10.5 | 0.5 |
| G Back N/Drop from Img.line | 1.5 | 1.5 | 1.5 | 1.5 | 1.5 | 1.5 | 1.5 | 0.2 |
| H Shoulder + lengt | 36 | 37 | 38 | 39 | 40 | 41 | 42 | 1.5 |
| J Sleeve Opening | 15.5 | 16 | 16.5 | 17 | 17.5 | 18 | 18.5 | 0.5 |
| K Rib Height | 1.2 | 1.2 | 1.2 | 1.2 | 1.2 | 1.2 | 1.2 | 0 |
| L Pocket Opening | 6 | 6 | 6 | 6.5 | 6.5 | 6.5 | 7 | 0 |
| M Pocket Height | 12 | 12 | 12 | 12.5 | 12.5 | 12.5 | 13 | 0 |
| N Pocket Width | 13.5 | 13.5 | 13.5 | 14 | 14 | 14 | 14.5 | 0 |